

FIG. 1 (PRIOR ART)

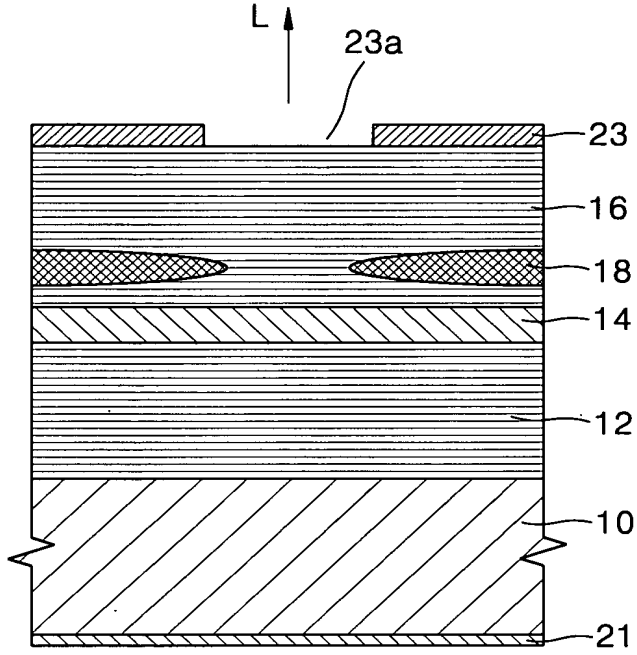
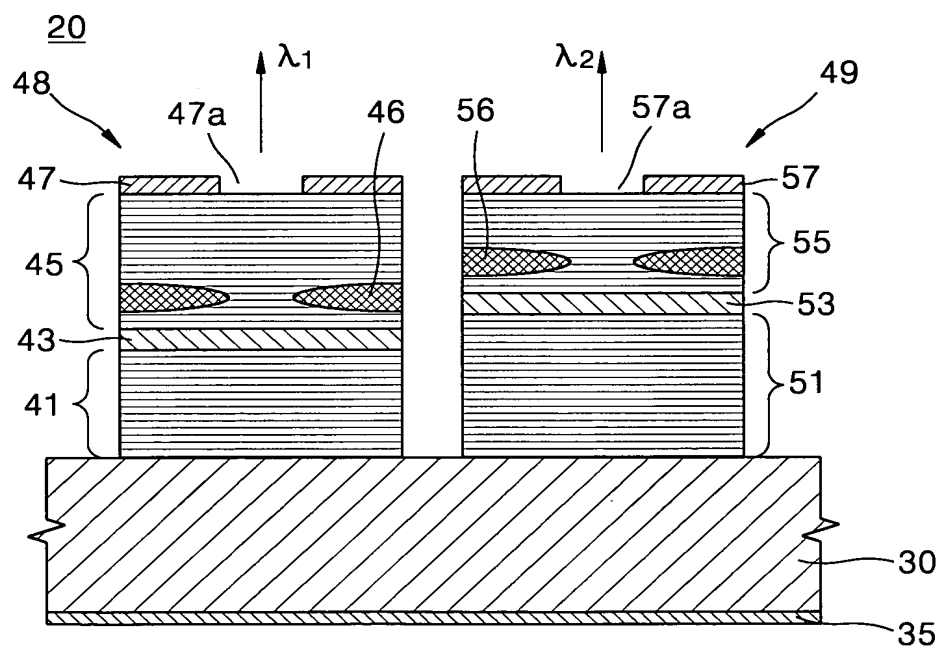
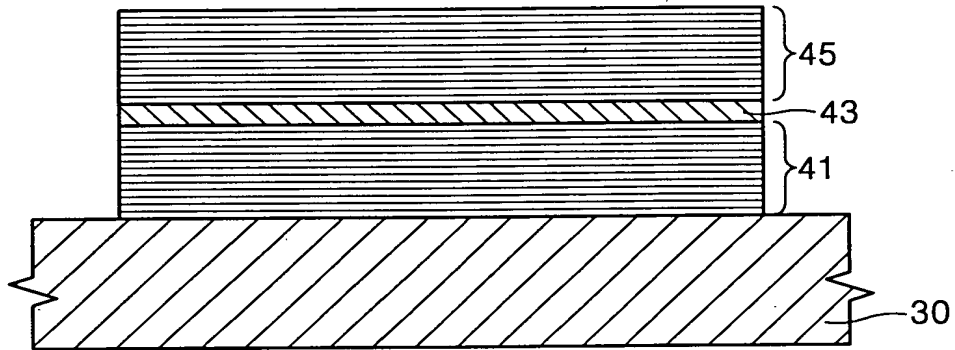


FIG. 2



0985319:04101

FIG. 3A



0935319 0411

FIG. 3B

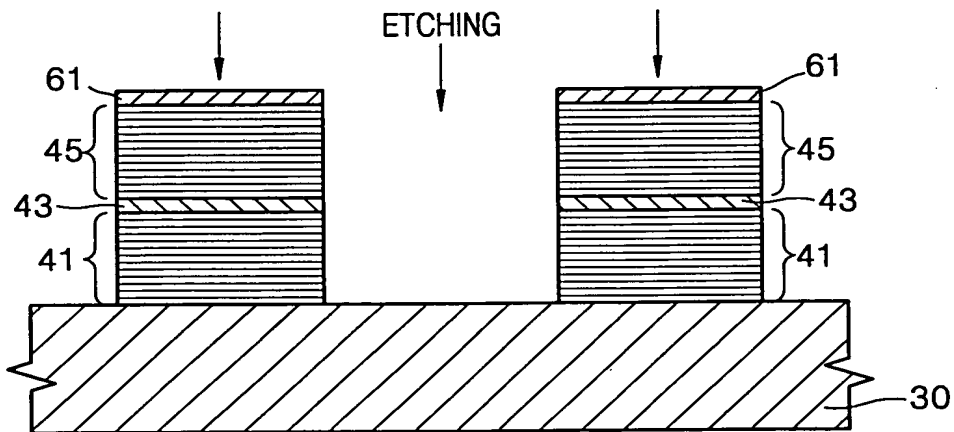


FIG. 3C

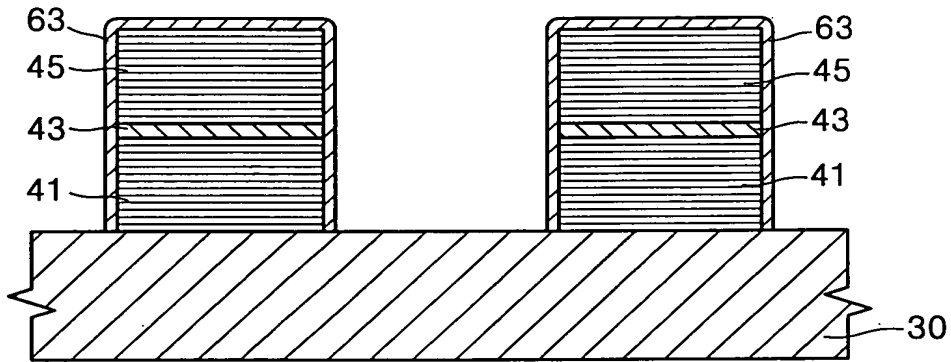
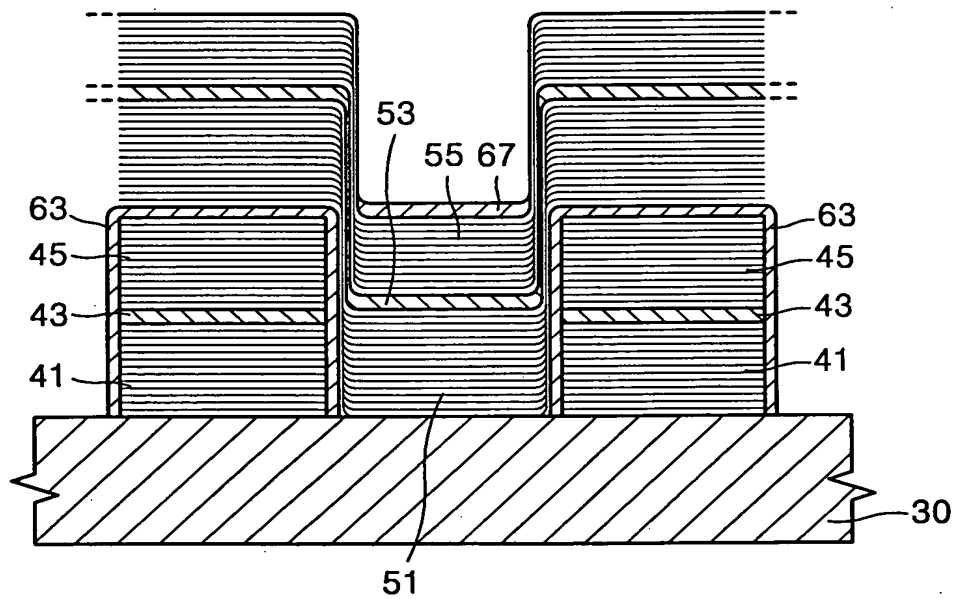


FIG. 3D



FOR "OFFICE"

FIG. 3E

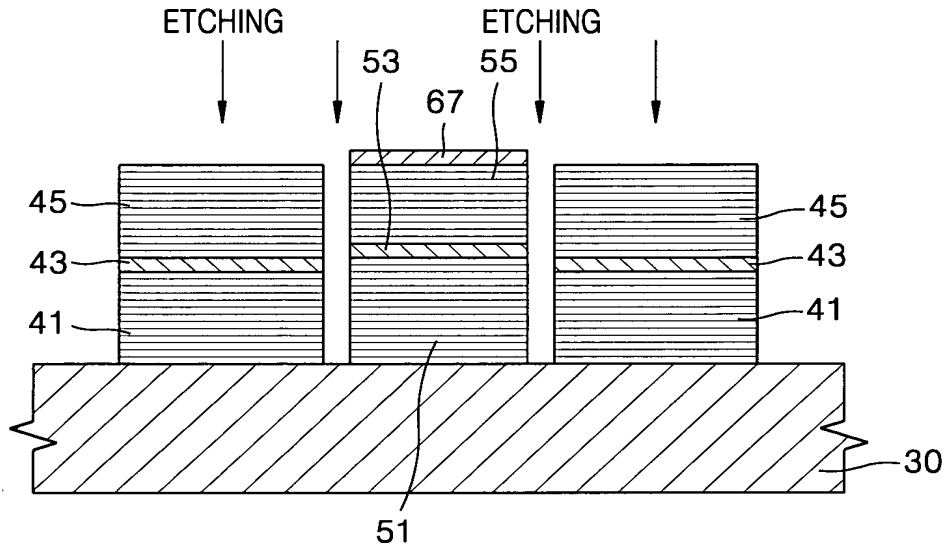
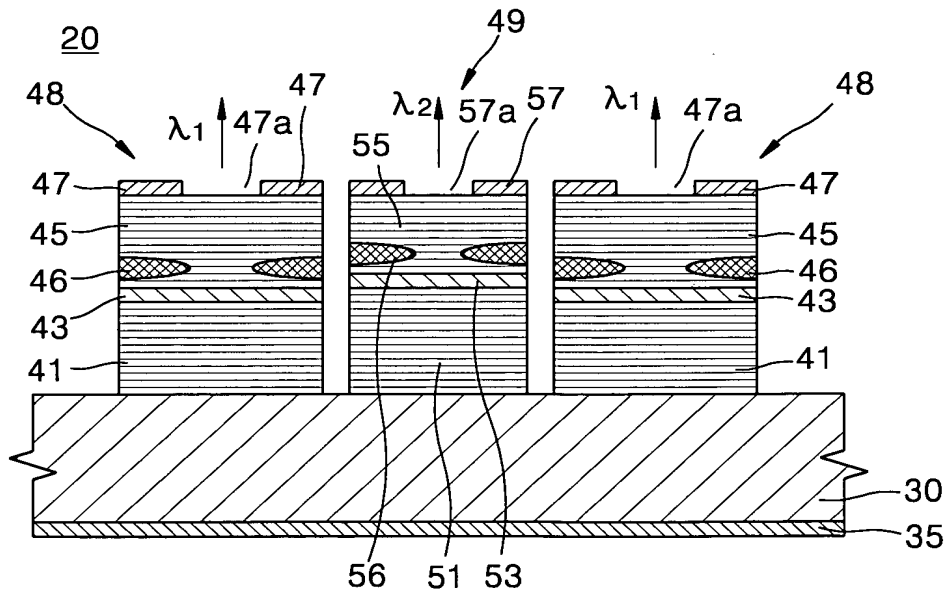


FIG. 3F



FOR PUBLICATION